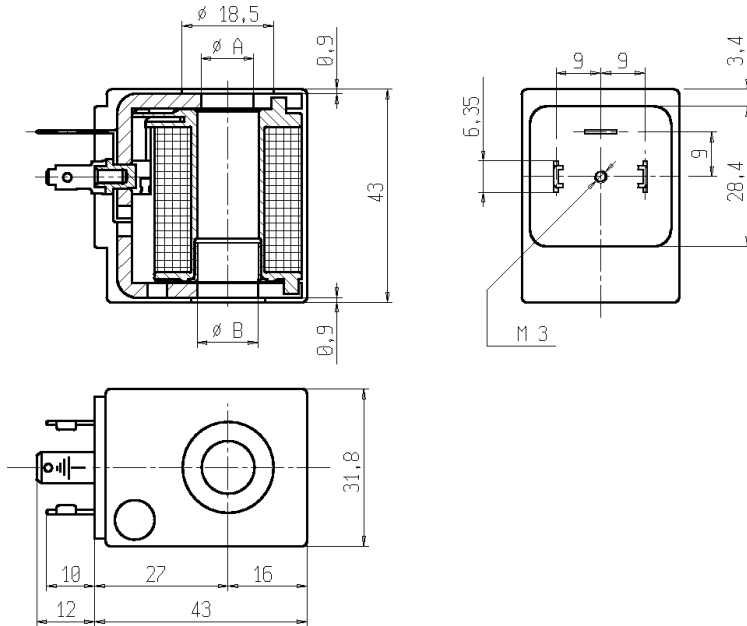




COIL

Spade terminals (DIN 46340)

Z5..



► **GENERAL FEATURES**

Complying with 73/23/EC (Low voltage), 2004/108/EC (EMC) directives and relative modification.
Complying with VDE 0580 standard (100% inspected).

► **ELECTRIC CONNECTIONS**

Spade terminals 6,3 x 0,8 (DIN46340), 2 line + 1 earth terminals.
3 poles plug connector (DIN 43650).

► **ENCAPSULATION MATERIALS**

PET (polyethylene terephthalate) fiberglass reinforced; black colour.

► **TECHNICAL FEATURES**

<i>Continuous duty</i>	ED 100%
<i>Insulation class</i>	Z530A : F (140°C) Z534A : H (165°C)
<i>Ambient temperature</i>	Z530A : 10°C +60°C Z534A : -10°C +80°C.
<i>Protection degree</i>	IP 65 (EN 60529) with plug connector
<i>Voltages DC</i>	12-24V (+10% -5%)
<i>AC</i>	24V/50Hz – 110V/50Hz (120V/60Hz) 230V/50Hz (+10% -15%) (Other voltages and frequencies on request).

TYPE	POWER ABSORPTION			HOLES		NOTES	WEIGHT (kg)
	AC (VA)		DC (W)	Ø A	Ø B		
	Inrush	Holding					
Z530A	23	14	9	10,7	12,35	-	0,200
Z534A						1	

► **NOTES**

1 - UL APPROVAL (E153691).