

NDP-50 Specifications

Port Dimensions (164 GPM Max.)

Intake & discharge connection:

Polypropylene (PPG)	2" ANSI B16.5 #150
Kynar® (PVDF)	2" ANSI B16.5 #150
Aluminum (ADC-12)	2" ANSI B16.5 #150 (with tapped 2" Female NPT)
Stainless Steel (316)	2" ANSI B16.5 #150 or 2" Female NPT
Cast Iron	2" Female NPT
Air inlet (incl. ball valve):	3/4" Female NPT
Air exhaust (incl. silencer):	1" Female NPT

Maximum Liquid Temperature*

Diaphragm Material	Temperature
Buna N	180°F (82°C)
Neoprene	180°F (82°C)
Santoprene® (TPO)	180°F (82°C)
EPDM	212°F (100°C)
PTFE	212°F (100°C)
Hytrell® (TPEE)	248°F (120°C)
Viton® fluoroelastomer	248°F (120°C)

*The maximum liquid temperature for metal and Kynar®-fitted pumps is determined by the elastomer (diaphragm material). Polypropylene pumps have a maximum liquid temperature of 180°F (82°C) regardless of diaphragm material.

Air Supply Pressure (All Models)

20–100 PSI (1.4–7 kfg/cm)

Discharge Volume Per Cycle

Rubber diaphragm: 1.12 gallons (4.25 liters)

PTFE diaphragm: 0.69 gallons (2.61 liters)

Maximum Cycles Per Minute

Rubber diaphragm: 146

PTFE diaphragm: 220

Maximum Size Solid

5/16" (8 mm)

Maximum Dry Suction Lift

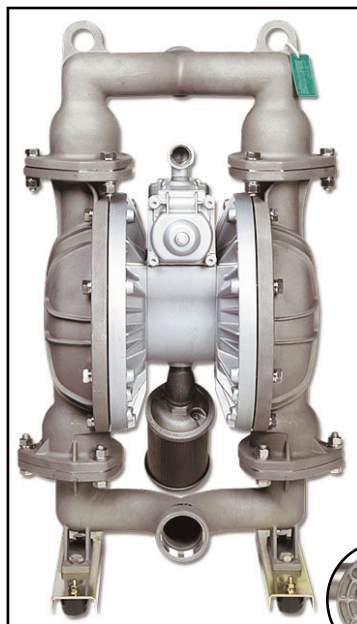
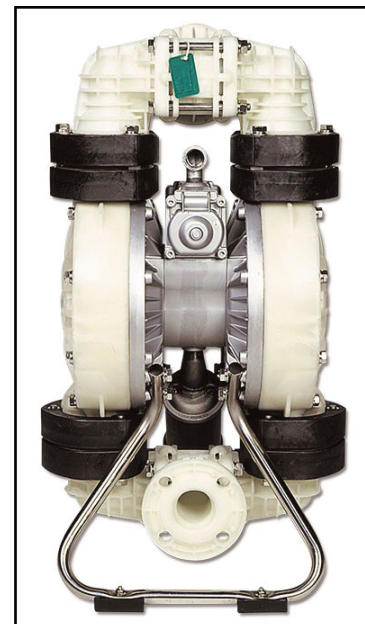
Rubber-fitted pump capability: 19-feet

Air Motor

Aluminum Air Motor–Standard

Optional coating: PTFE grey coated (XP)

Notes: Hytrell® fitted pumps include Buna N wetted o-rings. Santoprene® fitted pumps include EPDM wetted o-rings. Kynar® (PVDF) pumps fitted with Santoprene®, Hytrell®, or PTFE include PTFE check balls and o-rings.



Aluminum (top left)

Dimensions: 17.68" W × 30.67" H

Net Wt.: 88 lbs. (39.9 kg)

Shipping Wt.: 99 lbs.

Polypropylene or Kynar® (top right)

Dimensions: 18.63" W × 32.32" H

Net Wt.: 84 lbs. (38.1 kg)

Shipping Wt.: 108 lbs.

Cast Iron or Stainless Steel (left)

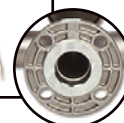
Dimensions: 17.72" W × 30.55" H

Net Wt.: Cast Iron –159 lbs. (72.1 kg)

SS –162 lbs. (73.5 kg)

Shipping Wt.: Cast Iron –168 lbs.

SS –173 lbs.



Note: ANSI Flange available for Cast Iron and Stainless Steel

Model Number Nomenclature

Series: NDP-50 B x x
Pump

Valve Type:
B = Ball

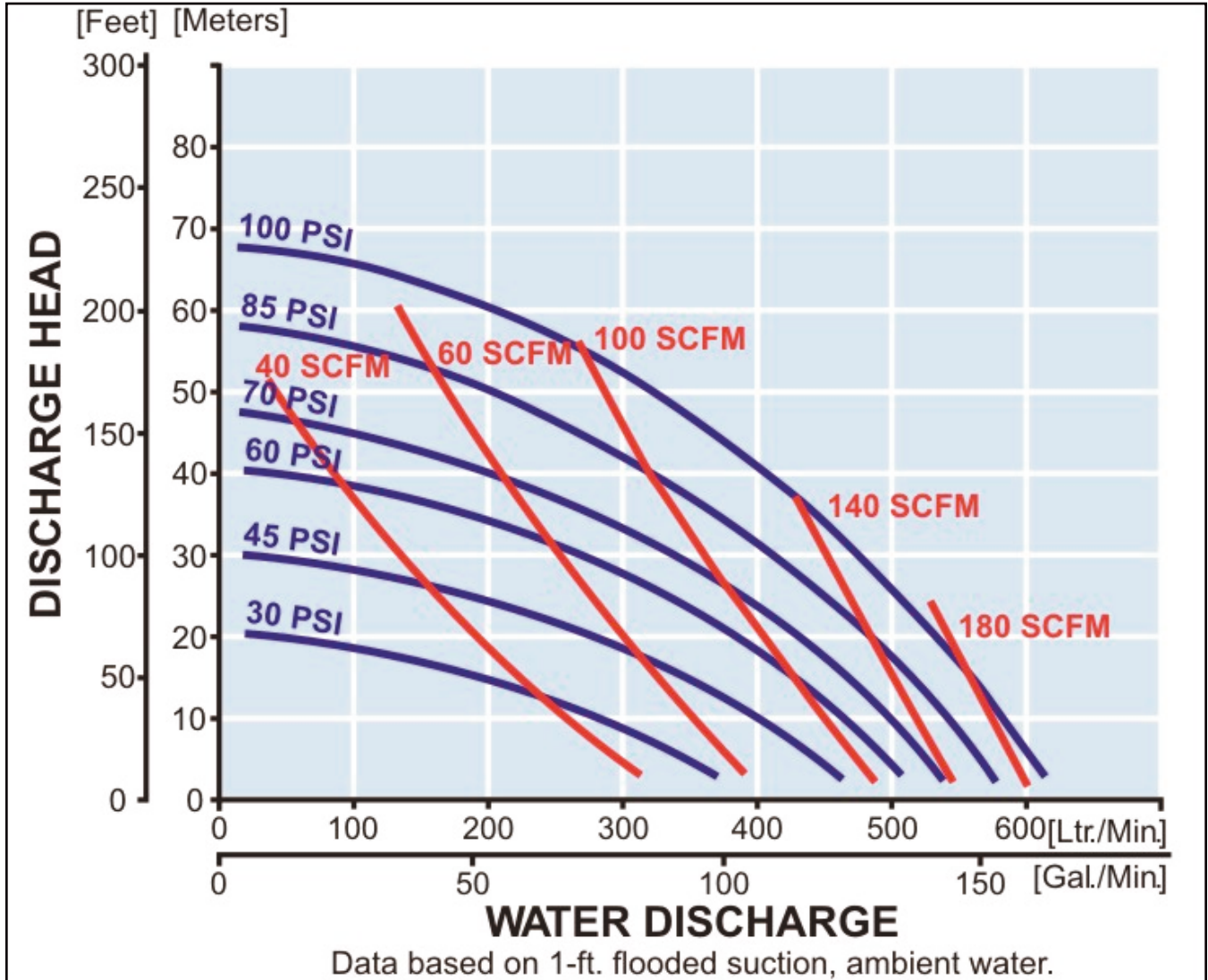
Body Material:
P = Polypropylene
A = Aluminum
S = Stainless Steel
F = Cast Iron
V = Kynar®

Diaphragm Material:
C = Neoprene (CR)
N = Buna N (NBR)
E = Nordel™ (EPDM)
S = Santoprene® (TPO)
T = PTFE
V = Viton® (FKM)
H = Hytrell® (TPE)

Note: For NPT-fitted Stainless Steel, add "NPT" at end of model number nomenclature.

NDP-50 Performance Curve – Rubber

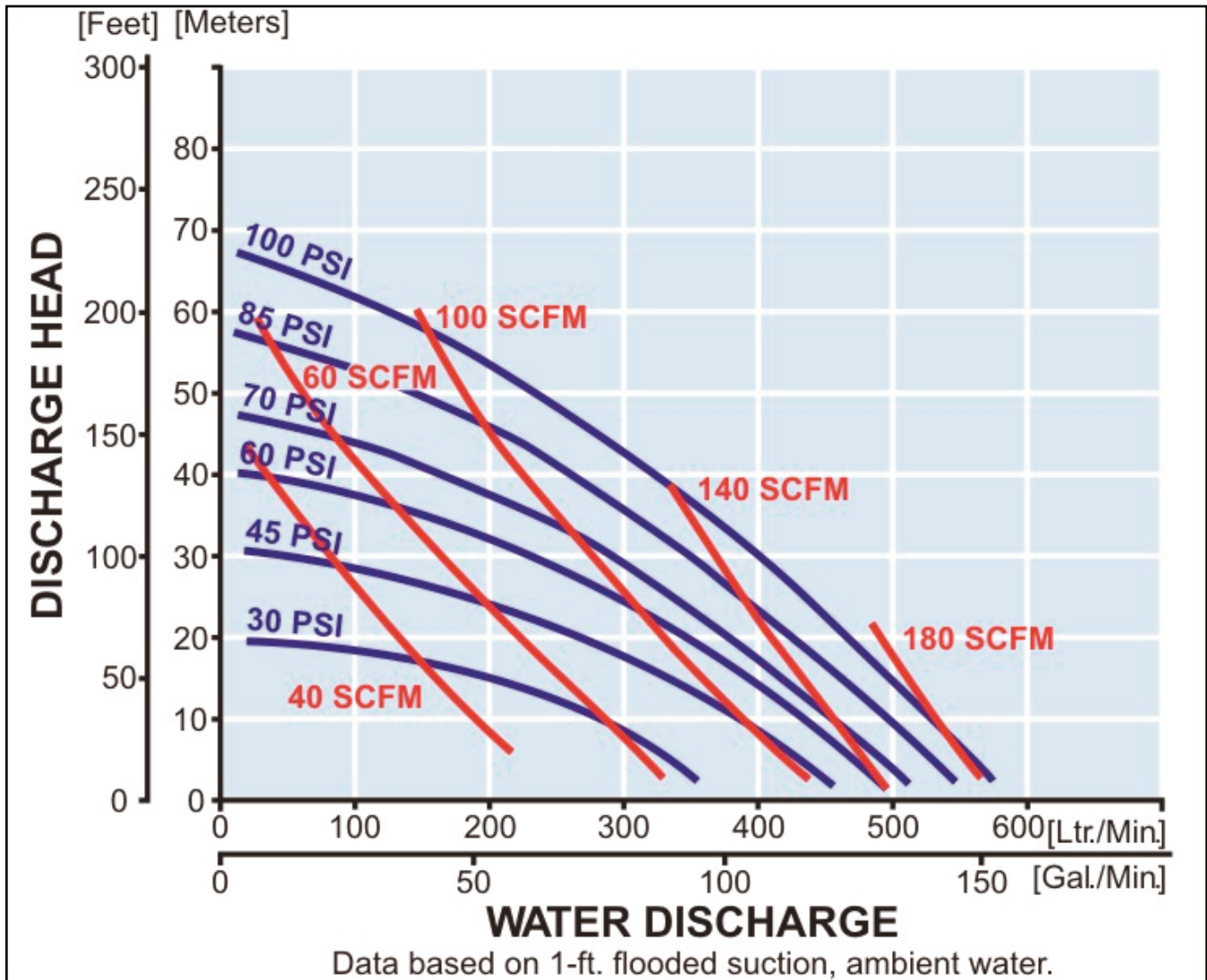
Rubber Diaphragm Performance Curve



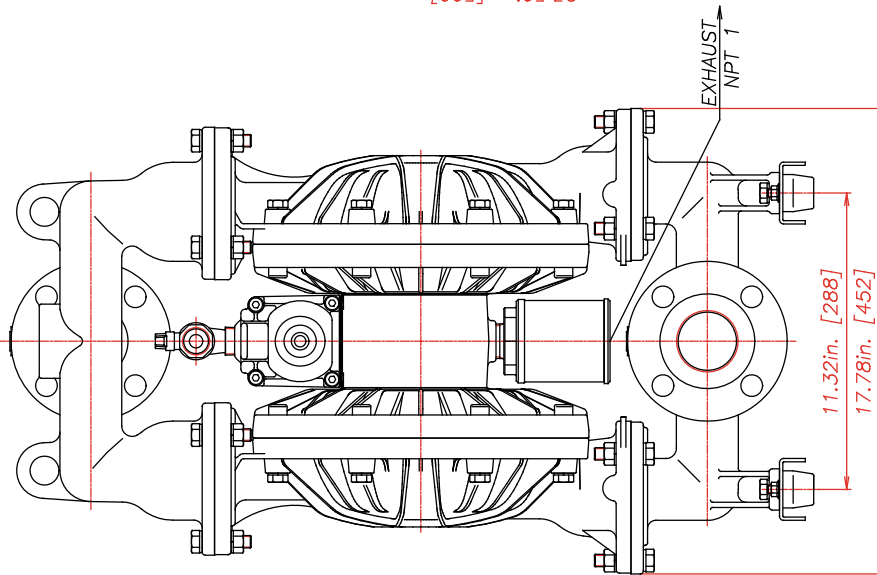
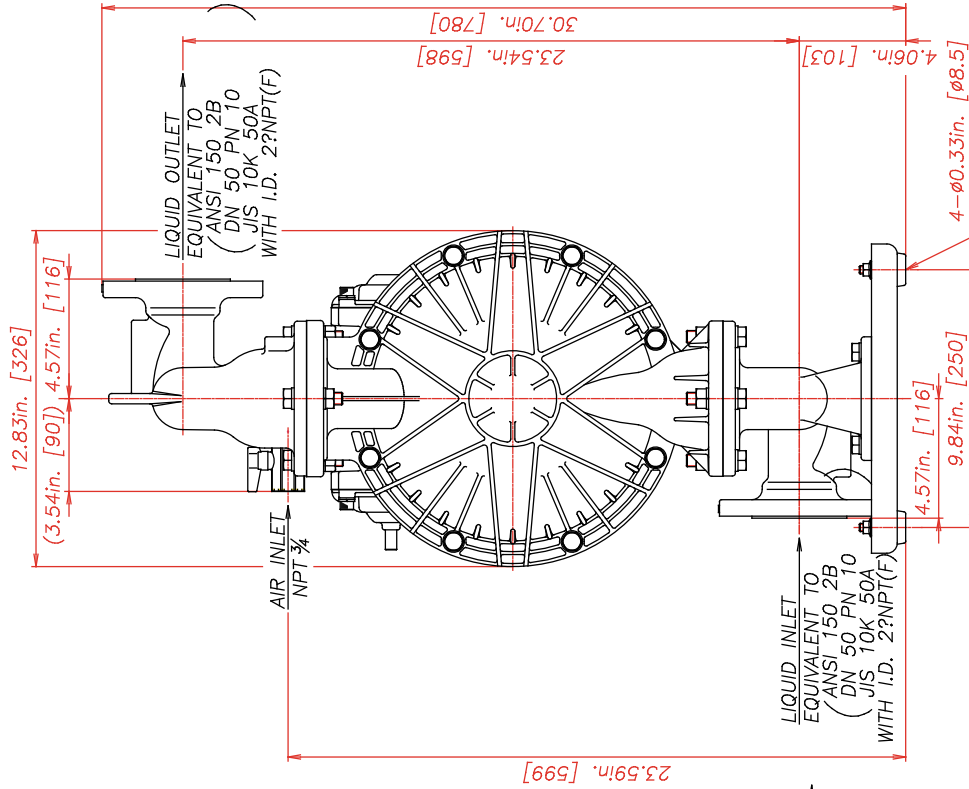
To calculate performance for Santoprene® and Hytrel®-fitted pumps, use Rubber Diaphragm Curve.

NDP-50 Performance Curve – PTFE

PTFE Diaphragm Performance Curve

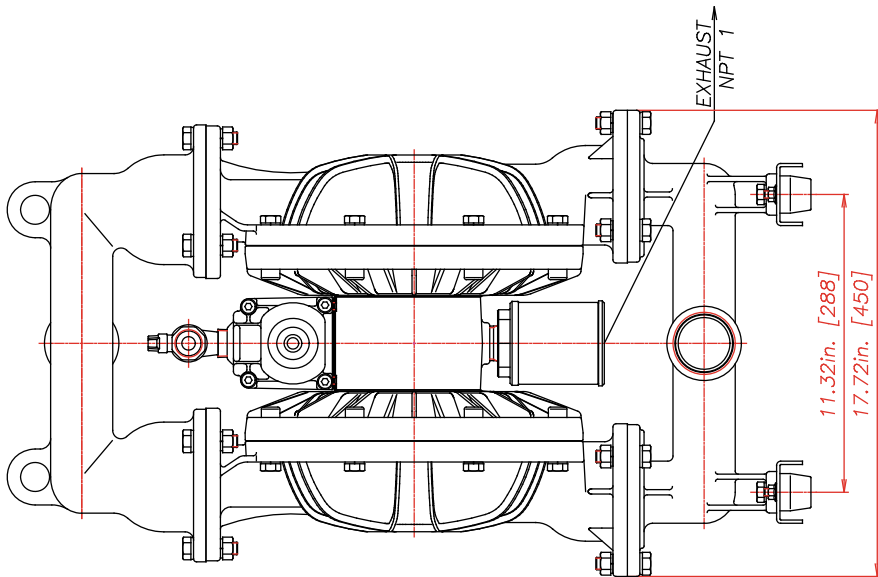
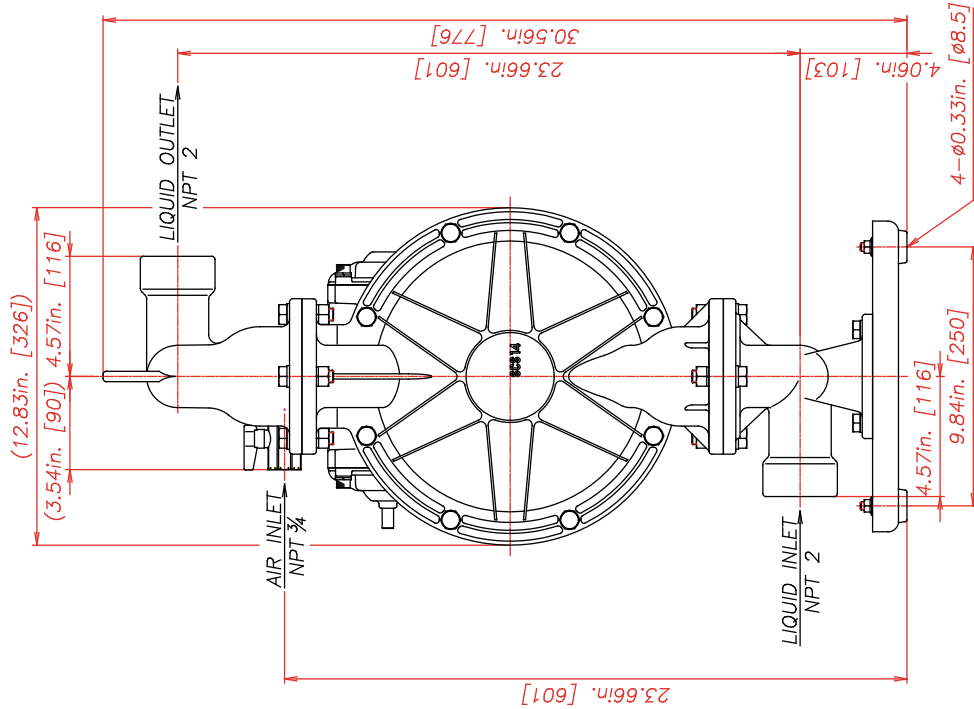


To calculate performance for Santoprene® and Hytrel®-fitted pumps, use Rubber Diaphragm Curve.



REV	DATE	DESCRIPTION	APPRD
THE DWG. OF:			
DIAPHRAGM PUMP ASSEMBLY			
SCALE 1 : 1		DRAWN BY Y.J.I.	
DATE 01/09/12		APPROVED BY S.K.	
THIRD ANGLE PROJ.	DRAWING NUMBER: NDP-50BA		REV 1

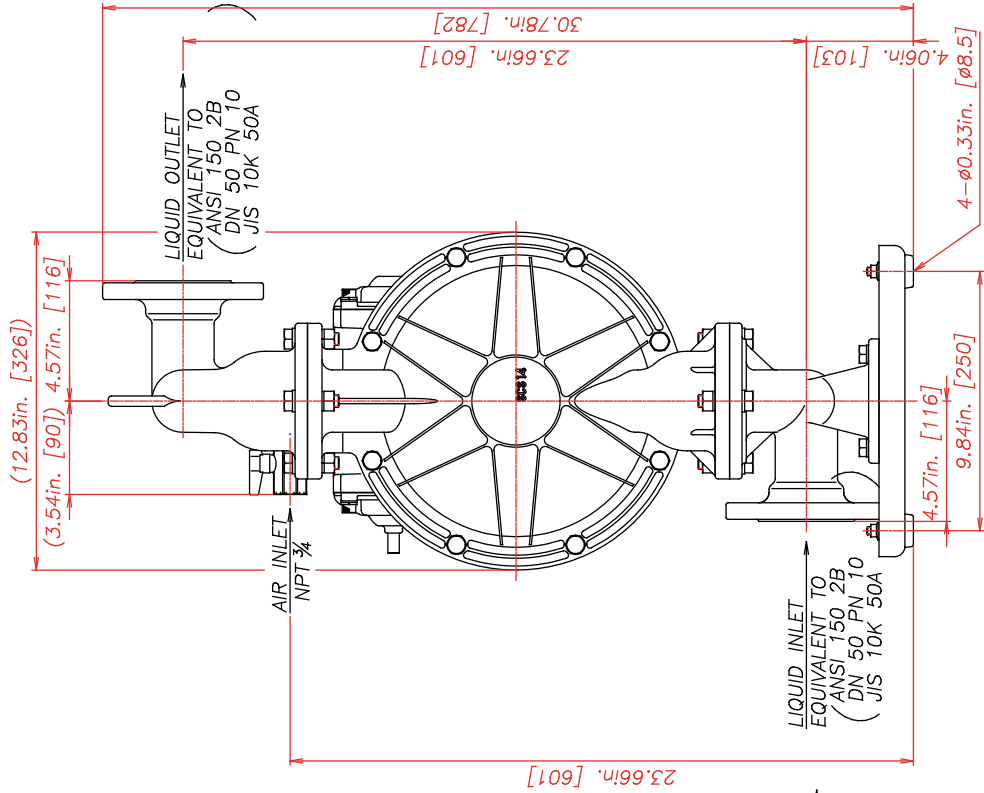
YAMADA AMERICA, INC.
 955 EAST ALGONQUIN ROAD - ARLINGTON HEIGHTS, ILLINOIS 60005
 TOLL FREE 800-990-7867 OR 847-631-9200
 THIS IS A CAD DRAWING AND MUST NOT BE ALTERED MANUALLY.



REV	DATE	DESCRIPTION	APPR'D
THE DWG.OF: DIAPHRAGM PUMP ASSEMBLY			
SCALE 1 : 1		DRAWN BY Y.JI	
DATE 01/09/12		APPROVED BY S.K.	
THIRD ANGLE PROJ.	DRAWING NUMBER: NDP-50BS NPT		REV 1

YAMADA AMERICA, INC.
 955 EAST ALGONQUIN ROAD - ARLINGTON HEIGHTS, ILLINOIS 60005
 TOLL FREE 800-990-7867 OR 847-631-9200

THIS IS A CAD DRAWING AND MUST NOT BE ALTERED MANUALLY.

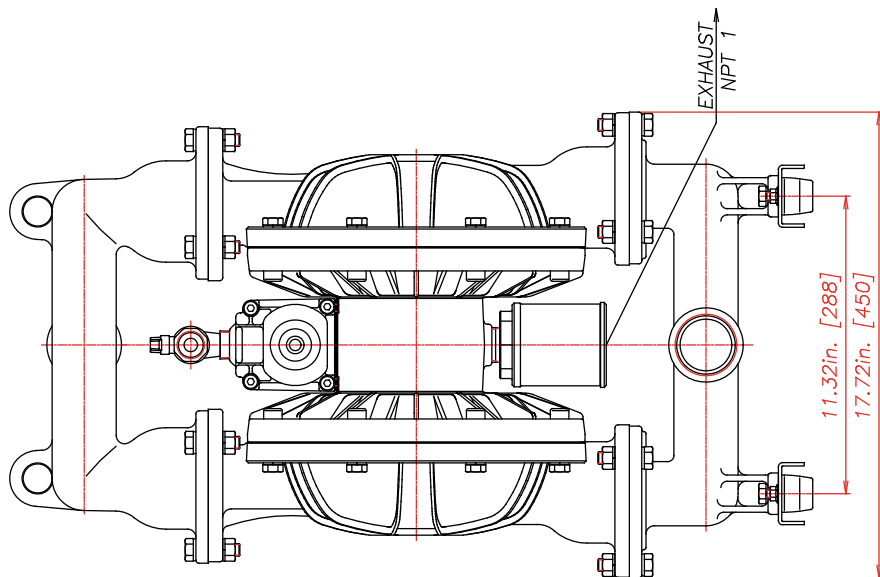
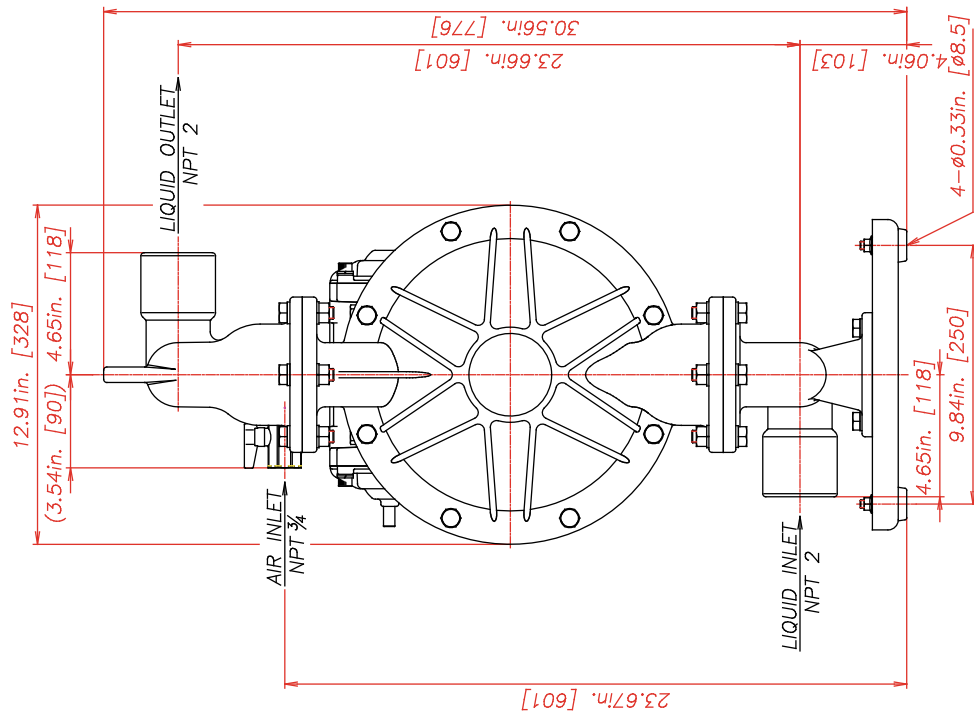


REV	DATE	DESCRIPTION	APPR'D
THE DWG. OF: DIAPHRAGM PUMP ASSEMBLY			
SCALE 1 : 1		DRAWN BY YJI	
DATE 01/09/12		APPROVED BY S.K.	
THIRD ANGRPDLJ	DRAWING NUMBER: NDP-50BS FLANGE		REV 1

YAMADA AMERICA, INC.
 955 EAST ALGONQUIN ROAD - ARLINGTON HEIGHTS, ILLINOIS 60005
 TOLL FREE 800-990-7867 OR 847-631-9200
 THIS IS A CAD DRAWING AND MUST NOT BE ALTERED MANUALLY.

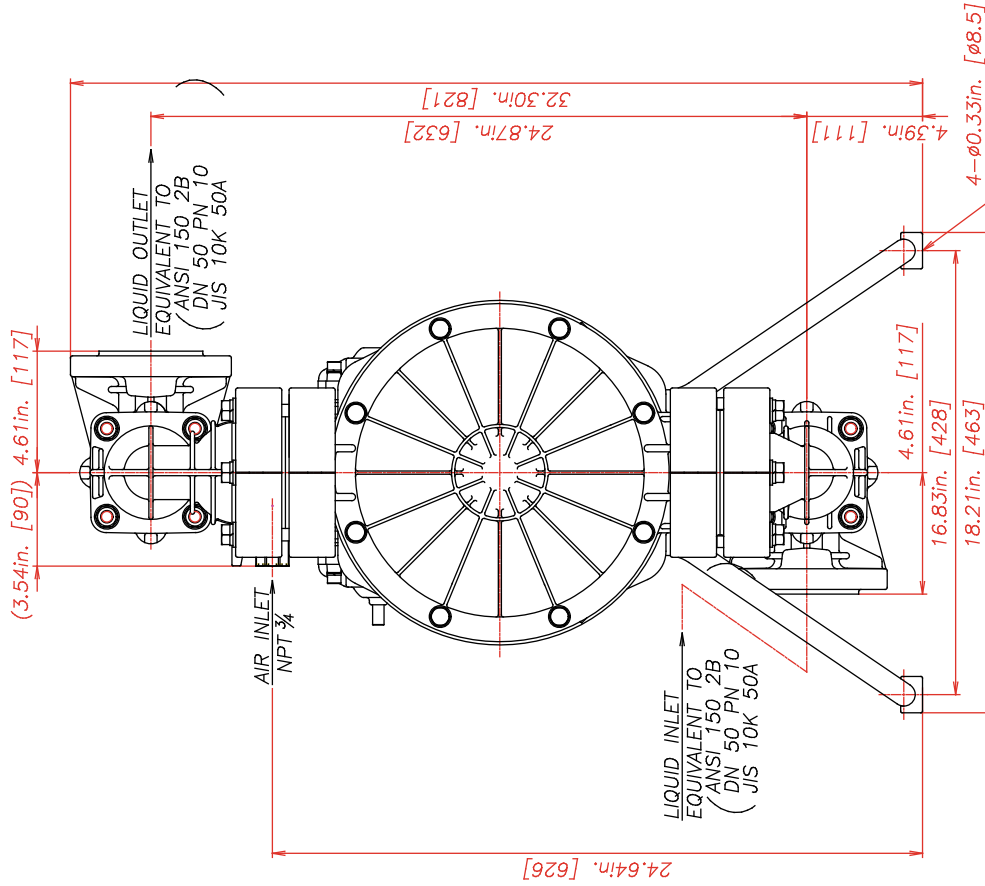


Yamada America, Inc. 955 E. Algonquin Road, Arlington Heights, IL 60005
 USA Toll-Free: 800 990-7867 Phone: 847 631-9200 Fax: 847 631-9273
 E-mail: sales@yamadapump.com Web: yamadapump.com



REV	DATE	DESCRIPTION	APPR'D
THE DWG. OF:			
DIAPHRAGM PUMP ASSEMBLY			
SCALE 1 : 1		DRAWN BY YJI	
DATE 01/09/12		APPROVED BY S.K.	
THIRD ANG. PROJ.	DRAWING NUMBER: NDP-50BF		REV 1

YAMADA AMERICA, INC.
 955 EAST ALGONQUIN ROAD - ARLINGTON HEIGHTS, ILLINOIS 60005
 TOLL FREE 800-990-7867 OR 847-631-9200
 THIS IS A CAD DRAWING AND MUST NOT BE ALTERED MANUALLY.

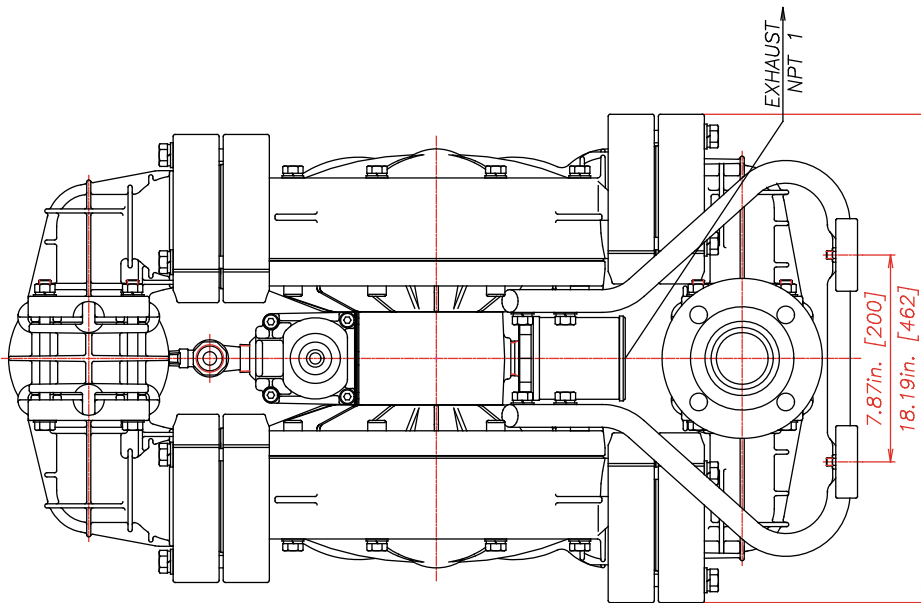
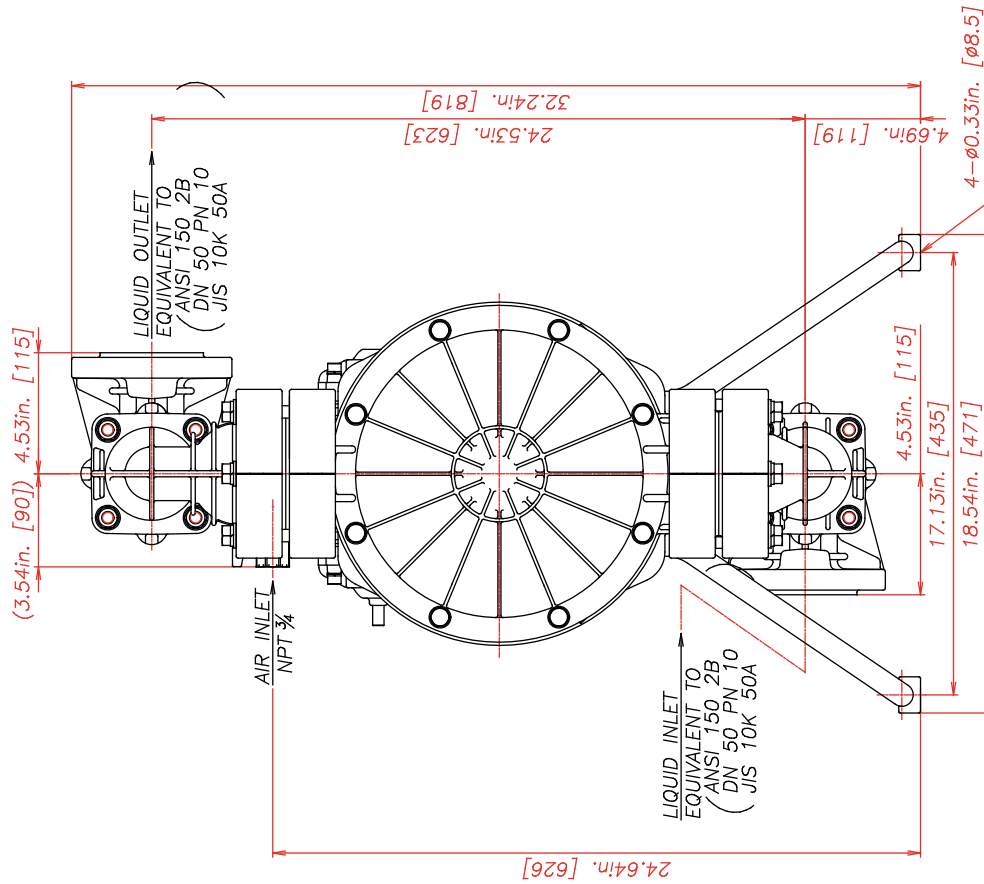


REV	DATE	DESCRIPTION	APPR'D
THE DWG. OF:			
DIAPHRAGM PUMP ASSEMBLY			
SCALE 1 : 1		DRAWN BY YJI	
DATE 01/09/12		APPROVED BY S.K.	
THIRD ANGRPLJ	DRAWING NUMBER: NDP-50BP		REV 1

YAMADA AMERICA, INC.

955 EAST ALGONQUIN ROAD - ARLINGTON HEIGHTS, ILLINOIS 60005
TOLL FREE 800-990-7867 OR 847-631-9200

THIS IS A CAD DRAWING AND MUST NOT BE ALTERED MANUALLY.



REV	DATE	DESCRIPTION	APPR'D
THE DWG. OF:			
DIAPHRAGM PUMP ASSEMBLY			
SCALE 1 : 1		DRAWN BY Y.JI	
DATE 01/09/12		APPROVED BY S.K.	
THIRD ANGLE PROJ.	DRAWING NUMBER: NDP-50BV		REV 1

YAMADA AMERICA, INC.
 955 EAST ALGONQUIN ROAD - ARLINGTON HEIGHTS, ILLINOIS 60005
 TOLL FREE 800-990-7867 OR 847-631-9200

THIS IS A CAD DRAWING AND MUST NOT BE ALTERED MANUALLY.

AutoCAD® is a registered trademark of Autodesk, Inc.

Hytrel® is a registered trademark of E.I. du Pont de Nemours and Company.

Kynar® is a registered trademark of Arkema.

Nordel™ is a trademark of DuPont Dow Elastomers.

Ryton® is a registered trademark of Chevron Phillips Chemical Company.

Santoprene® is a registered trademark of Advanced Elastomer Systems.

Swagelok® & VCR® are trademarks of the Swagelok Companies.

Viton® is a registered trademark of DuPont Performance Elastomers.

Due to Yamada's continued commitment to product improvement, specifications may change without notice.