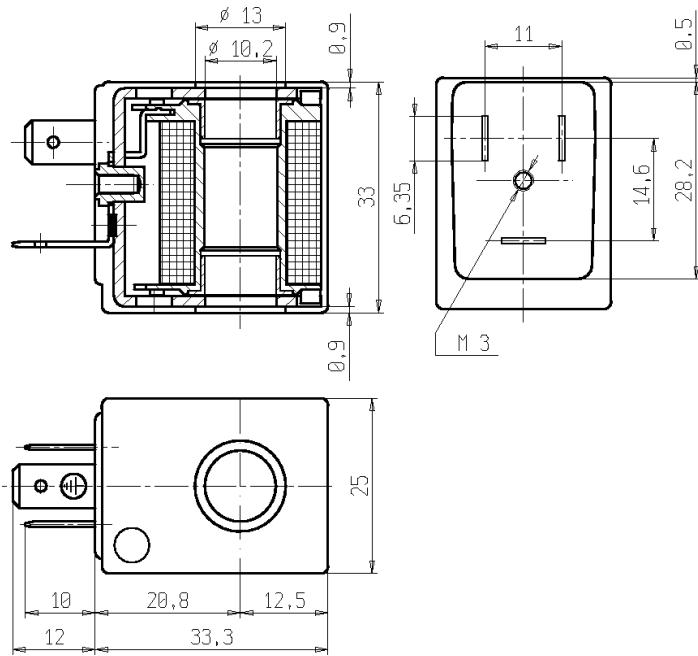


## COIL Spade terminals (DIN 46340)



### ► GENERAL FEATURES

Complying with 73/23/EC directive and relative modification 93/68/EC.  
Complying with VDE 0580 standard (100% inspected).

### ► ELECTRIC CONNECTIONS

Spade terminals 6,3 x 0,8 (DIN46340), 2 line + 1 earth terminals.  
3 poles plug connector.

### ► ENCAPSULATION MATERIALS

PET (polyethylene terephthalate) fiberglass reinforced (black colour).

### ► TECHNICAL FEATURES

<i>Continuous duty</i>	ED 100%
<i>Insulation class</i>	Z610A – Z610D : F (155°C) Z614A : H (180°C)
<i>Ambient temperature</i>	Z610A – Z610D : -10°C +60°C Z614A : -10°C +80°C.
<i>Protection degree</i>	IP 65 (EN 60529) with plug connector
<i>Voltages DC</i>	12-24V (+10% -5%)
<i>AC</i>	Z610A – Z610D : 24V/50-60Hz – 110V/50-60Hz (120V/60Hz) - 230V/50-60Hz (+10% -15%) Z614A: 24V/50Hz – 110V/50Hz (120V/60Hz) - 230V/50Hz (+10% -15%) (Other voltages and frequencies on request).

TYPE	POWER ABSORPTION			NOTES	WEIGHT (kg)
	AC (VA)		DC (W)		
	Inrush	Holding			
Z610A	16	10	6	1	0,080
Z610D	14	7,5	4,5		
Z614A	16	10	6		

### ► NOTES

1 - UL APPROVAL (E153691)