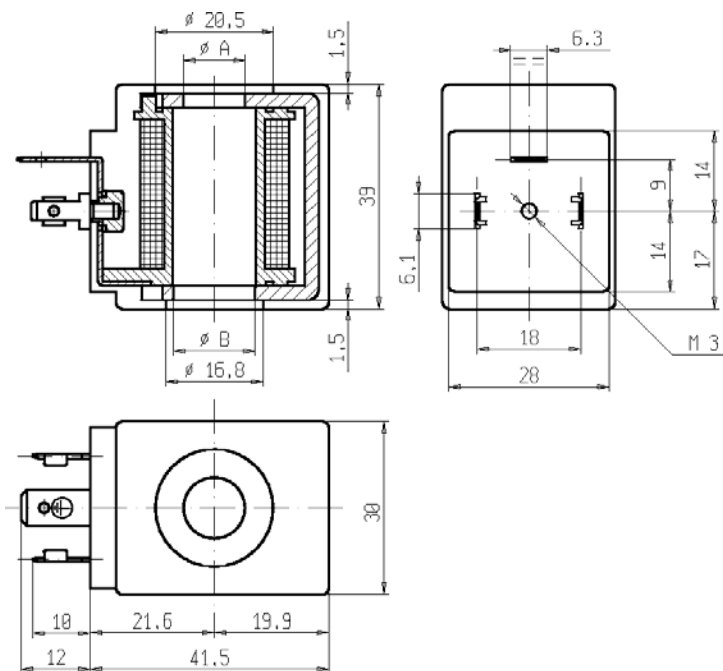




# COIL

## Spade terminals (DIN 46340)

ZA..



### ► GENERAL FEATURES

Complying with 73/23/EC (Low voltage), 89/336/EC (EMC) directives and relative modification.

Complying with VDE 0580 standard (100% inspected).

### ► ELECTRIC CONNECTIONS

Spade terminals 6,3 x 0,8 (DIN46340), 2 line + 1 earth terminals.

3 poles plug connector (DIN 43650).

### ► ENCAPSULATION MATERIALS

PET (polyethylene terephthalate) fiberglass reinforced (black colour)

### ► TECHNICAL FEATURES

*Continuous duty*

*Insulation class*

*Ambient temperature*

*Protection degree*

*Voltages* DC

AC

ED 100%

ZA30AZA30E: F (155°C)

ZA34A-ZA34E: H (180°C)

ZA30A – ZA30E: -10°C +50°C

ZA34A – ZA34E: -10°C +80°C

IP 65 (EN 60529) with plug connector

12-24V (+10% -5%)

24V/50Hz – 110V/50Hz (120V/60Hz)

230V/50Hz (+10% -15%)

(Other voltages and frequencies on request).

TYPE	POWER ABSORPTION			HOLES		NOTES	WEIGHT (kg)
	AC (VA)		DC (W)	ØA	ØB		
	Inrush	Holding					
ZA30A	23	14	9	10,7	14,2	1-2	0,140
ZA30E	-	-	12			1	
ZA34A	23	14	9			2	
ZA34E	-	-	12			2	

### ► NOTES

1 - VDE APPROVAL (N° 137205)

2 - UL APPROVAL (N° E153691)